



PIPELINE SERVICES

- N2 services for purging, pigging, dewatering, drying ,leak test and isolation plug.
- Water pumping services for pigging, flushing, hydrotesting and isolation plug operations.
- Hydrocarbon removal.
- Pre com activity.
- Site Visits for pumping operations.



Turnkey Project Management

Plan and manage pigging operations activity

Renting & Leasing Equipment's

Water Pumps (Flooding, submersible/suction, High Pressure, Chemical pumps..)
Nitrogen Pumps / Membrane spread
Water break tanks & Other machinery

Training

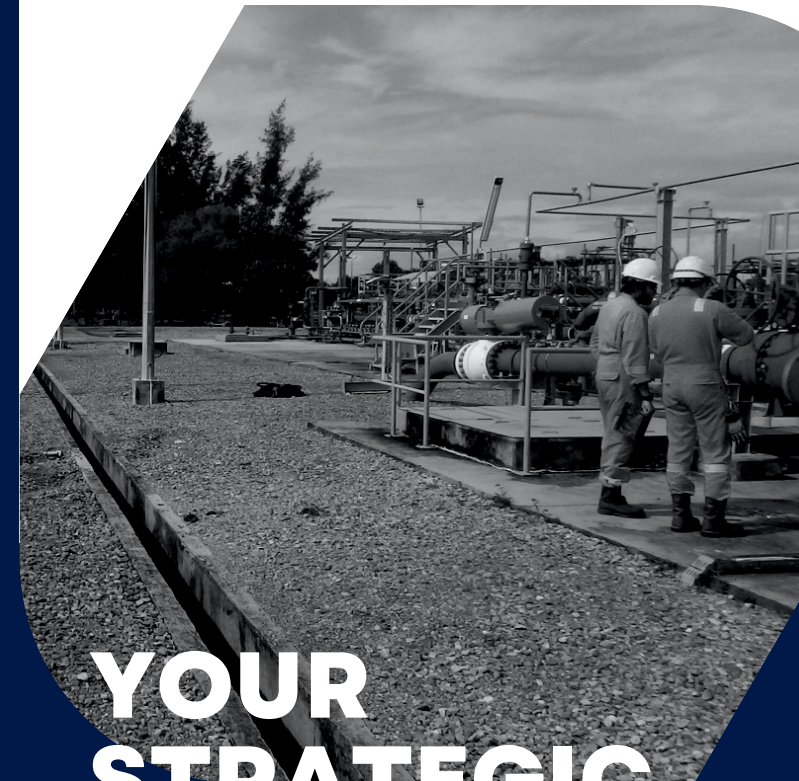
Intelligent Pigging and mechanical cleaning for offshore and onshore pipelines
Pipeline Pigging Operations Training Course
Cleaning Tool Storage and Maintenance

EXCITED ABOUT COLLABORATING?

Unit No A-03-08, Miri Times Square
Marina Parkcity, 98000 Miri, Sarawak

 sales-01@fargo-pipeline.com

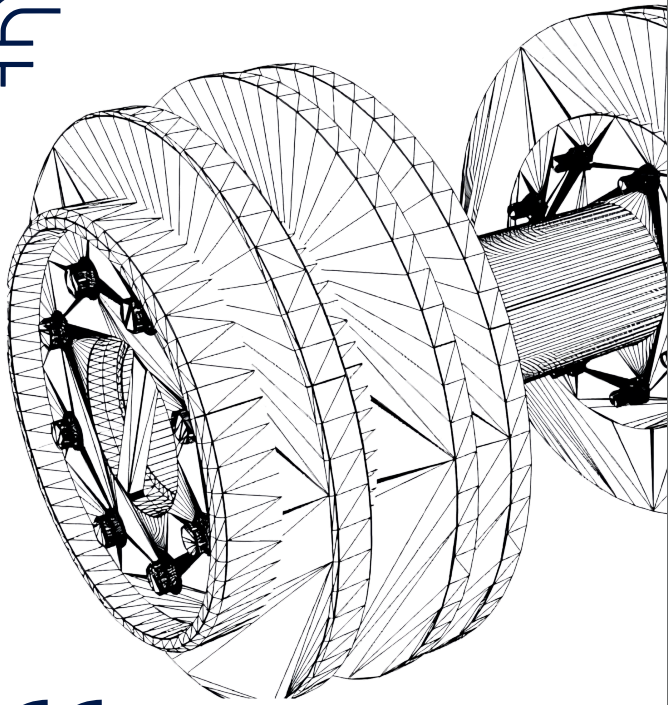
 **+60 14-692 6063**



YOUR STRATEGIC PARTNER IN PIPELINE SOLUTIONS



www.fargo-pipeline.com



Fargo Pipeline is a Malaysia-based engineering solutions provider specializing in pipeline pigging for the oil and gas industry. Through our partnership with **PolyEurope**, we deliver high-quality cleaning pigs backed by decades of proven expertise. Our services include engineering and consulting for customized pigging solutions, turnkey project management, and water or nitrogen pumping—covering flushing, hydrotesting, leak testing, and auxiliary support for pipeline operations.

WHY CHOOSE US

Focused on Pigging and Pipeline Solutions – leveraging experience with a solid technical partner

Smart solutions to keep your operations lean and cost-effective.

End-to-End Solutions - From engineering consultation to execution and project management, clients receive a complete pigging service under one roof.

Agility & Local Expertise - As a Malaysia - based company, Fargo combines regional knowledge with international standards, providing responsive support throughout your project.

Safety & Quality Commitment - Services are designed with strict compliance to industry standards, ensuring safe, efficient, and reliable pipeline operations.

PRODUCT AND SERVICES

Pipeline Cleaning Tool Supply

- Standard Bi-Directional and Uni-Directional
- Cleaning Pigs & Foam Pigs Customize cleaning pig for challenging pipeline
- Customize cleaning pigs for pit cleaning
- Pig accessories (circular brush, pencil brush, nylon brush, pig tracking device, magnets, pig mandrel)
- Descaling and dewaxing pigs.

ENGINEERING AND CONSULTATION SERVICES - PIGGING SOLUTIONS

- Drawing extraction & interpretation
- Customize Reports & Procedures (Site Visit, Pigging procedures & contingency Planning)
- Pig stuck troubleshooting , Recovery Plan & Root Cause Analysis.
- Pipeline profiling and pre-inspection
- Progressive Pigging Program
- Pig design and selection for challenging pipeline (with wax, scale, tight radius, multi- diameter etc.)
- Standard and non-standard pig launching consultation for cleaning and inspection tools
- Passive bypass cleaning pigs
- Pigg ability Studies
- General consultation and Turnkey project management
- Pigging with compressed air.